

# EB-Certalume for TL5 lamps

## EB-Ci 1-2 14-28W 220-240V 50/60 Hz

Affordable, reliable, high-frequency electronic ballast for TL5 fluorescent lamps, ideal alternative to electromagnetic fluorescent systems. The cost-saving and reliable EB-C has energy efficiency class A2, and its robust design meets all necessary international standards for safety and EMC.

### Product data

General Information	
Lamp Type	TL5
Number Of Lamps	1-3 piece/unit
Suitable For Outdoor Use	No
Number Of Products On MCB (16A Type B) (Max)	30
Automatic Restart	Yes
Operating and Electrical	
Input Voltage	220-240 V
Input Frequency	50 or 60 Hz
Operating Frequency (Nom)	42-60 kHz
Ignition Method	Warm Start
Crestfactor (Max)	1.7
Ignition Time (Nom)	1.0 s
Mains Voltage Performance (AC)	-10%...+10%
Mains Voltage Safety (AC)	198...264V
Earth Leakage Current (Max)	0.5 mA
Inrush Current Width	0.224 ms
Ballast Factor (Nom)	1

Power Factor (Max)	0.98
Power Factor (Min)	0.90
Input Power (Max)	60.1 W
Input Power (Min)	16.6 W
Power Losses (Max)	4.8 W
Power Losses (Nom)	2.1 W
Inrush Current Peak (Max)	17 A
Rated Lamp Power	14-28 W

### Wiring

Connector Type Input Terminals	Insert
Cable Capacity Output Wires Mutual (Max)	150 pF
Connector Type Output Terminals	Insert
Cable Length Hot Wiring	0.75 m
Wire Striplength	7.5-8.5 mm
Input Terminal Cross Section	0.50-1.50 mm <sup>2</sup>
Output Terminal Cross Section	0.50-1.50 mm <sup>2</sup>
Cable Capacity Output Wires To Earth (Max)	150 pF

## EB-Certalume for TL5 lamps

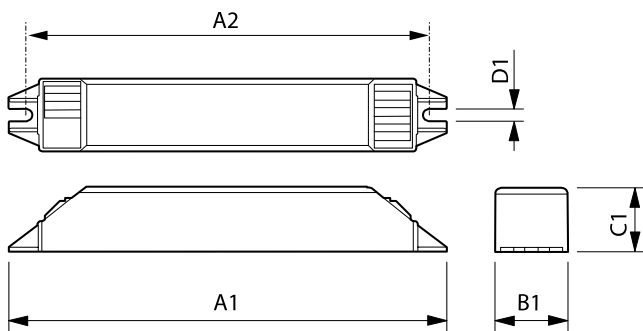
Connector Type	Insert
<b>System characteristics</b>	
Rated Lamp Power On TL5	14-28 W
System Power On TL5	16.6-60.1 W
Lamp Power On TL5	14.5-27.8 W
Power Loss On TL5	2.1-4.8 W
<b>Temperature</b>	
T-Ambient (Max)	50 °C
T-Case Lifetime (Max)	75 °C
T-Case Maximum (Max)	75 °C
T-Ignition (Max)	50 °C
T-Ignition (Min)	-10 °C
<b>Mechanical and Housing</b>	
Housing Material	Plastic
Housing	L210x30x26mm
<b>Emergency Operation</b>	
Battery Voltage Lamp Ignition	165-253 V
<b>Approval and Application</b>	
Energy Efficiency Index	A2
EMI 9 kHz ... 30 MHz	EN55015

EMI 30 MHz ... 1000 MHz	EN 55015
Safety Standard	IEC 61347-2-3, IEC 61347-1
Quality Standard	ISO 9001
Environmental Standard	ISO 14001
EMC Immunity Standard	EN 55015
Vibration Standard	IEC 60068-2-29 FB
Bumps Standard	Not specified
Approval Marks	CB Certificate CCC certificate TISI marking PSB certification RCM compliance SNI Certificate CS Compliance IRAM Compliance
Temperature Marking	Yes
Hum And Noise Level	< 30 dB(A)

### Product Data

Full product code	694793913355000
Order product name	EB-Ci 1-2 14-28W 220-240V 50/60 Hz
EAN/UPC - Product	6947939133550
Order code	913713043280
Numerator - Quantity Per Pack	1
Numerator - Packs per outer box	30
Material Nr. (12NC)	913713043280
Net Weight (Piece)	0.080 kg

### Dimensional drawing



EB-Ci 1-2 14-28W 220-240v 50/60 Hz

Product	A1	A2	B1	C1	D1
EB-Ci 1-2 14-28W 220-240V 50/60 Hz	210 mm	200 mm	30 mm	26 mm	4.3 mm

## EB-Certalume for TL5 lamps

